



[www.exbrite.com](http://www.exbrite.com) or [www.exbriestones.weebly.com](http://www.exbriestones.weebly.com)

EXBRITE3M50BABY-INSTRUCTION MANUAL

**EXBRITE STONES PTE LTD**  
 60 KAKI BUKIT PLACE #10-18 EUNOS TECHPARK SINGAPORE 415979  
 +65 67443359 +65 67449357 exbrite@singnet.com.sg  
 +65 93633749 +65 96841255 exbrite1@singnet.com.sg

Filter Air EXBRITE IMPACTS GENUINE PARTS

grinder EIBENSTOCK IMPACTS FLEX Trimm CLEAN TFC50

Parts Service Machine

www.exbrite.com  
 www.exbriestones.weebly.com  
 www.exbrite-egs.weebly.com

+65 88383030  
 +65 93633749  
 +65 96841255

Performance Diamond Tools

grinder Filter Air ES EG TRADEMARK exbrite stones pte ltd

[WWW.EXBRITE.COM](http://WWW.EXBRITE.COM) [WWW.EXBRITESTONES.WEEBLY.COM](http://WWW.EXBRITESTONES.WEEBLY.COM) [WWW.EXBRITE-EGS.WEEBLY.COM](http://WWW.EXBRITE-EGS.WEEBLY.COM)

EXBRITE3M50BABY-INSTRUCTION MANUAL



*For our esteem customer*

Thank you for purchasing the EXBRITE Industrial Vacuum Cleaner 3M50Baby, a high-quality product based on the newest state-of-the-art technology. We hope that this device will be to your satisfaction and meet your expectations.

# 3M50Baby



[www.exbrite.com](http://www.exbrite.com) or [www.exbriestones.weebly.com](http://www.exbriestones.weebly.com)

EXBRITE3M50BABY-INSTRUCTION MANUAL

**3M50Baby**



The 3M50 Baby Line is designed for those who need reliability, power, and simplicity in industrial cleaning. No unnecessary features, no extra costs: just maximum efficiency at an affordable price.

- ✓ Essential yet powerful: Proven technology for various applications.
- ✓ Maximum efficiency, minimum investment: Optimize cleaning without waste.
- ✓ Easy to use, easy to maintain: Designed for everyday practicality.
- ✓ Reversed Pulse (RP) cleaning system
- ✓ Available now: Fast delivery times to keep your production running.

SPECIAL FEATURE  
as easy as

**123**



THREE INDEPENDENT ON-OFF SWITCH



PRESS BUTTON ONCE TO AIR PULSE FILTER  
UNIQUE JET-PULSE CLEANING SYSTEM



SPECIFICATION	READING
Model	<b>3M50 BABY</b>
Power (kW)	3.8KW - 5.5 HP
Voltage (V/Hz)	220/50HZ - 60 HZ
Weight	38KG
Current	14AMP
Vacuum	240MBAR
Max Depression (KP)	28
Airflow (CFM)	355CFM
Airflow (M <sup>3</sup> /H)	600
Noise Level (A)	72
Filter Surface (m <sup>2</sup> )	2.5
Capacity (LT.)	80
Caliber (mm)	50
Dimension (cm)	65*70*108
Filter Type	CONE FILTER HEPA
Filter Cleaning	INVERSE PULSE WITH PUSH DOWN BUTTON

# NOTICE



1. These instructions are only for industrial vacuum cleaner type EXBRITE Industrial Vacuum Cleaner 3M50Baby
2. Please pay particular attention to the safety regulations and safety instructions.
3. Read the complete instruction manual before using.
4. All spare parts and accessories used with this device must be those specified by EXBRITE STONES PTE LTD
5. Check before and after use that all the switches are in OFF position.
6. The packaging material can be recycled. Please do not throw the packaging material into household waste; please send it for recycling.



7. Old devices contain valuable materials that can be recycled; these should be sent for recycling. Batteries, oil, and similar substances must not enter the environment. Please dispose of your old devices using appropriate collection systems.



[www.exbrite.com](http://www.exbrite.com) or [www.exbriestones.weebly.com](http://www.exbriestones.weebly.com)

## EXBRITE3M50BABY-INSTRUCTION MANUAL

8. Some of the details shown in the illustrations in this manual may be different from your vacuum cleaner. Some of the components may be removed for clearer expression.
9. After unpacking the machine, please do not treat the packaging material as household waste, please send the packaging material to the relevant recycling site for recycling

# UNPACKING OF 3M50BABY

- Dispose of the packing materials in compliance with the laws in force.

# EXBRITE 3M50BABY - ACCESSORIES

- Please note that accessories such as inlet adaptor, hose, aluminum S Wand and Floor Brush are sold as optional accessories. Please check that the following accessories (a set of floor tool) are included with your purchase if they are order with Exbrite Stones Pte Ltd or her Official Distributor.



Please contact EXBRITE STONES PTE LTD for more information.

# SAFETY INSTRUCTION BEFORE USE OF EXBRITE 3M50BABY

Please read and comply with these safety instructions prior to the initial operation of your device.

- Apart from the notes contained herein, the general safety provisions and rules for the prevention of accidents of the legislator must be observed.
- Check the power cord with mains plug for damage before every use. If the power cord is damaged, have it replaced immediately by the authorized customer service or electrician in order to avoid possible hazards.
- **Never touch the mains plug with wet hands.**
- Please read the operating instructions for your machine before using it, and pay particular attention to the following safety instructions.
- **Retain these safety instructions for use for future reference.**

# POWER CONNECTION OF 3M50BABY

- **Connect the electric plug to a power outlet with the correct voltage**
- **Make sure that the power cord or extension cables are not damaged by running over, pinching, dragging or similar.**
- **Protect the cable from heat, oil, and sharp edges.**
- **The power cord and the extension cable must be checked regularly for damages, such as cracks or aging. If damage is found, the cable must be replaced before further use.**
- **Do not connect the machine to an unearthed socket**
- **The working environment must be clean and free of explosive gases.**



[www.exbrite.com](http://www.exbrite.com) or [www.exbritestones.weebly.com](http://www.exbritestones.weebly.com)

## EXBRITE3M50BABY-INSTRUCTION MANUAL

# NEVER VACUUM THE FOLLOWING MATERIAL!!!

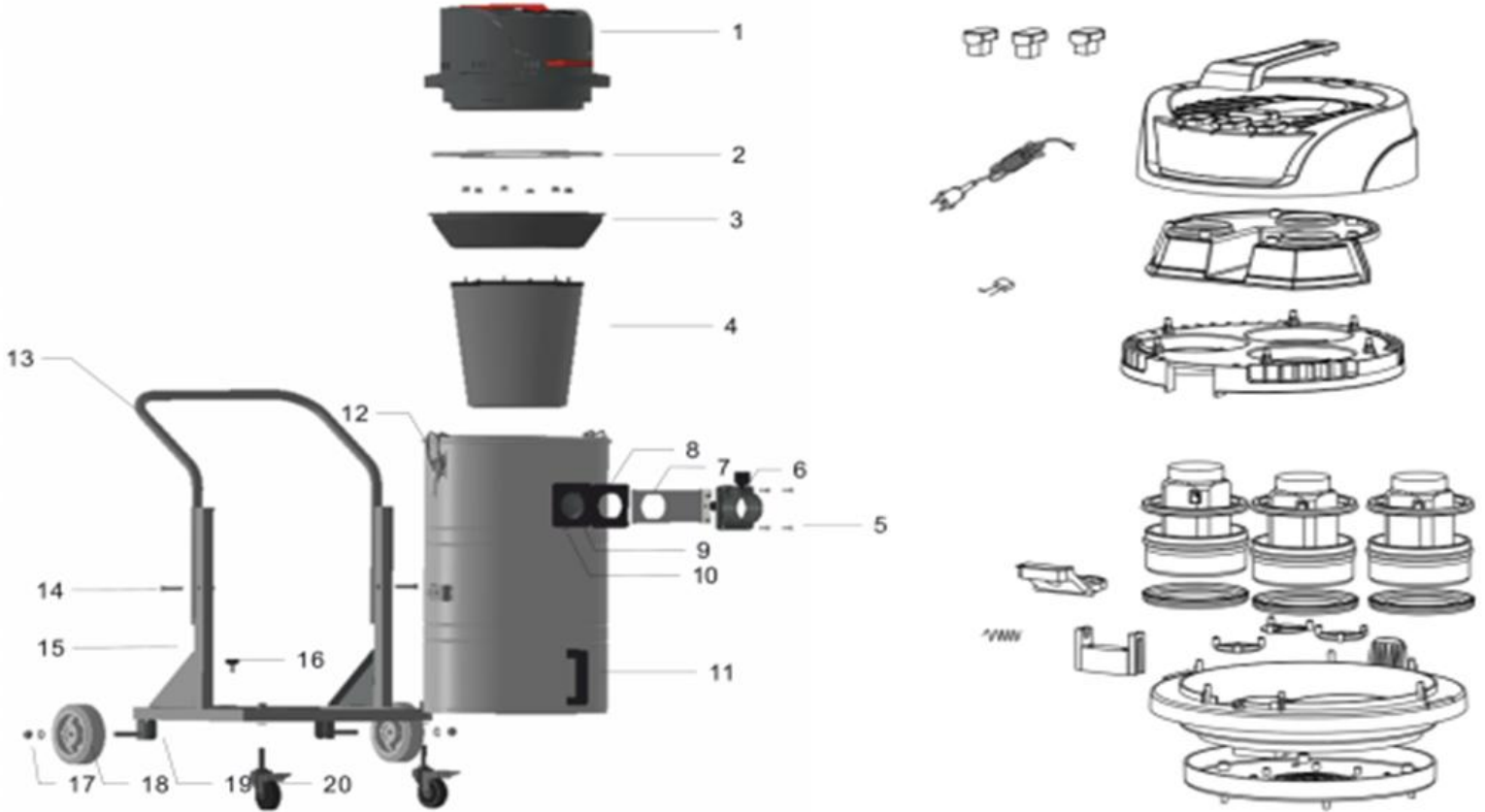
- Do not vacuum up any burning or glowing objects.
- Certain materials may produce explosive vapors or mixtures when agitated by the suction air!
- Explosive or combustible gases, liquids and dust particles (reactive dust particles)
- Reactive metal dust particles (such as aluminum, magnesium, zinc) in combination with highly alkaline or acidic detergents
- Undiluted, strong acids and alkalis
- Organic solvents (such as petrol, paint thinners, acetone, heating oil).
- In addition, these substances may cause the device materials to corrode.
- Never leave the device unattended as long as it is in operation and the power cord has not been pulled.
- Always use appropriate gloves while working on the device.
- The device may only be used by persons who have been instructed in handling the device or have proven qualification and expertise in operating the device or have been explicitly assigned the task of handling the device.
- This machine is not intended for use by persons (including children) with reduced physical, sensory or mental capabilities, or lack of experience and knowledge.
- Children should be supervised to prevent them from playing with the device.
- The device is to be fastened properly during transportation.
- In order to ensure the correct use of the vacuum cleaner, it must be avoided to be eroded by some natural environment (rain, hail, snow, fog, suspended dust, etc.), and it should be placed in the place where the temperature is between 5 °C and 45 °C, and the relative humidity is not higher than 70%.

## MAINTANANCE OF EXBRITE 3M50BABY

Switch off the device and in case of devices connected to the power outlet, pull out the power cord before cleaning and performing any maintenance tasks on the machine. Shut the device off when switching to a different function.

Maintenance work may only be carried out by approved customer service outlets or experts in this field who are familiar with the respective safety regulations.

# PARTS OF 3M50BABY



# IDENTIFICATION OF PARTS OF 3M50BABY

1	Motor head	11	Tank
2	Sealing strips	12	Hasp
3	Iron ring	13	Handle
4	Filter	14	Screw
5	Screw	15	Dust tank
6	Cast iron flange	16	Fix stopper
7	Suction baffle	17	Nuts
8	Plastic plate	18	Wheel
9	Die cast deflector	19	Screw
10	Rubber sealing plate	20	Swiveling wheel



[www.exbrite.com](http://www.exbrite.com) or [www.exbritestones.weebly.com](http://www.exbritestones.weebly.com)

EXBRITE3M50BABY-INSTRUCTION MANUAL

# INSTALLATION OF FLOOR TOOLS+WAND OF 3M50BABY





[www.exbrite.com](http://www.exbrite.com) or [www.exbriestones.weebly.com](http://www.exbriestones.weebly.com)

EXBRITE3M50BABY-INSTRUCTION MANUAL

## OPERATION OF 3M50BABY



# 3M50 Baby Motor 1+2+3

- 1) Turn the switch to "I" to start the machine.
- 2) Turn the switch to "0" and turn off the machine
- 3) Three switches control three vacuum motors, three motors can work at the same time, or only one or two of them can be turned on



**ATTENTION  
PLEASE**

**Attention ! Before connecting the power supply, please make sure that the voltage of the power supply is consistent with that on the equipment label.**

- Confirm whether the plug and socket are suitable.
- Confirm whether the hose and dust suction port are suitable.
- Confirm the quality of wires and other extension wires.
- Plug the selected accessories tightly with the end of the suction hose.
- Unplug the power plug when the vacuum cleaner is not working.



**ATTENTION  
PLEASE**

**Please ensure the motor of the machine stops completely FIRST before the machine can be started again.**



## OPERATION OF FILTER CLEANING OF 3M50BABY



**1** Close the Suction inlet

**2** Press the red manual jet pulse button on motor head  
Continue 1-2 seconds, repeat 3-5 times.

## CLEANING OF DUST-BIN 3M50BABY



**Please use both hands during the whole dis-assembly process !**



**CLEANING OF  
3M50 BABY DUST BIN**



[www.exbrite.com](http://www.exbrite.com) or [www.exbriestones.weebly.com](http://www.exbriestones.weebly.com)

EXBRITE3M50BABY-INSTRUCTION MANUAL

### Electrical safety

- a) Use only extension cables for extending the main cable that are sized and marked in accordance with the overall power consumption of the machine. Do not use damaged extension cables.
- b) Electrical cables must be rolled entirely off of the reels.
- c) Any damage to the electric cables and/or electrical components is not permitted.
- d) If the power supply cable or plug is damaged, it must be replaced immediately.  
Only use original Blastrac parts.
- e) The voltage on the identification plate must comply with the power supply.
- f) Use an electrical power supply connection with earth connection and earth leakage circuit breaker.
- g) The circuit breaker of the power supply must have a "D" characteristic. Circuit breakers with a "C" or "B" characteristic can give problems when switching the machine on.
- h) **Keep the machine original; The machine is always equipped with an earthed connection, do not change this** and always use earthed cables with an earthed plug.
- i) Inspect and test the electrical components regularly. The electrical components have to satisfy with the requirements set out in the harmonised norm EN60204-1.
- j) Always call a skilled electrician or your distributor when you have questions about the safety of the electrical components.
- k) Work on electrical equipment or operating materials may only be undertaken by a skilled electrician or by trained persons under the guidance and supervision of a skilled electrician as well as in accordance with the electrical engineering regulations.
- l) Always use tools that are insulated against voltages.
- m) Do not abuse the cables. Never use the cables for carrying, pulling or unplugging the machine. Keep cables away from heat, oil, sharp edges or moving parts. Damaged or entangled cables increase the risk of electric shock. Do not fold the cable or clamp it.
- n) Don't pull out the power supply cable out by the wire, but by the connector.
- o) Be careful with water on the treated surface. Electrical cables must not come into contact with water.
- p) The main power switch on the machine must be in the "Off" position before connecting to the power supply.
- q) During a long standstill of the machine, pull out the main plug.
- r) If the machine is to be operated using power from a generator, the generator must be operated in accordance with the current legal regulations and directives in force. (this applies to the protective earth conductor in particular) in order to ensure that all safety devices are functioning and to eliminate possible damage to electrical components.



[www.exbrite.com](http://www.exbrite.com) or [www.exbriestones.weebly.com](http://www.exbriestones.weebly.com)

EXBRITE3M50BABY-INSTRUCTION MANUAL



**3M50** *Baby*

# Certificate of Warranty

CUSTOMER NAME:	
CUSTOMER ADDRESS:	
CUSTOMER TELEPHONE:	
CUSTOMER MOBILE:	
CUSTOMER EMAIL:	
PURCHASE FROM:	
PRODUCT:	
SERIAL NO :	
DATE OF PURCHASE :	

Please email to [EXBRITE@SINGNET.COM.SG](mailto:EXBRITE@SINGNET.COM.SG) within 1 week from date of purchase for the Limited Warranty to be recognize.

**Warranty:** For machines only, the warranty applied to complete Machine ONLY, Seller warrants equipment of its manufacture for a period of 6 months from date of shipment/collection, to the extent that Seller will at its option replace, f.o.b. point of manufacture, any such products if by reason of faulty material or workmanship, they prove defective under normal use and service and when properly installed. Seller does not in any manner whatsoever warrant equipment failure as a result of Operator operating the above quoted equipment's in non compliance to ATEX ZONE (for example Potentially Explosive Atmosphere areas or Zone "ATEX")

Seller does not in any manner whatsoever warrant equipment failure as a result of unusual temperatures or pressures, improper lubrication, misapplication, lightning, improper voltage supply, deterioration by chemical action, detrimental well conditions, wear and tear and wear caused by the presence of abrasive materials, as this do not constitute defects. EXCEPT TO THE EXTENT OF THE DESCRIPTIONS CONTAINED HEREIN, OR AS SPECIFIED ON SELLER'S ORDER ACKNOWLEDGMENT, THE FOREGOING IS IN LIEU OF ALL OTHER WARRANTIES, EXPRESS OR IMPLIED, INCLUDING THOSE OF MERCHANTABILITY OR FITNESS FOR ANY PURPOSE NOT EXPRESSLY SET FORTH HEREIN. Also, this warranty shall not apply to any equipment which has been subjected to misuse, neglect or accident, or has been altered or tampered with, or on which corrective work has been done without Seller's specific written consent.

A written claim may be made and such written claim will only be accepted under the guarantee only if the equipment's have been used as intended. The guarantee does not cover operational wear, improper use, partly or completely dismantled machines as well as damage caused by overloading the machine, use of non-permitted, defective or incorrectly used application tools. The guarantee does not cover damage which is caused by the machine on the application tool or work piece, use of force, consequential damage which can be attributed to improper or inadequate maintenance on the part of the customer or a third party, damage caused by external effects or foreign objects, e.g. sand or stones, as well as damage caused by non-observance of the operation manual, e.g. connection to an incorrect mains voltage or current type.

The guarantee does not cover insert tools, accessories &/or spare parts & equipment attached Compressor. Please note that any unauthorized or illegal modification, alteration and/or changes to any part of the machine whatsoever will void this guarantee.

Buyer's exclusive remedy is only limited to (a) the replacement (but not installation) of parts found defective by Seller, f.o.b. Seller's factory if returned to the factory for inspection, transportation charges paid for by buyer, or (b) if in Seller's opinion repair or replacement will not remedy a claimed product deficiency.

However, if the product had been received by the buyer in excess of 24hours, seller reserves the right to make a depreciation charge for such use.

Seller does not provide any warranty whatsoever for consumable tools, spare-parts & accessories such as for example diamond tools, abrasives, Blast wheels, Control Cage, Feed Sprout, Brushes, Liners, Drive Wheels, Filter, Hydraulic System, Motor, electrical or electronic spare-parts... etc.

**EXBRITE CLIENT POLICY:**

**SPARE-PARTS ARE ONLY PROVIDED/SOLD TO CUSTOMER WHO PURCHASE DIRECTLY FROM EXBRITE STONES PTE LTD**

**EXBRITE STONES PTE LTD DO NOT WARRANT OR HONOUR WARRANTY FOR PRODUCTS NOT SOLD BY EXBRITE STONES PTE LTD. EXBRITE STONES PTE LTD ALSO WILL NOT HONOUR WARRANTY FOR PRODUCTS PURCHASE THROUGH THIRD PARTY VENDOR OR AGENT NOT APPOINTED BY EXBRITE STONES PTE LTD**

**Disclaimer:** SELLER EXPRESSLY DISCLAIMS ANY OBLIGATION OR LIABILITY FOR LABOR PERFORMED IN CONNECTION WITH INSTALLATION OF REPAIRED OR REPLACED PARTS OR FOR ANY OTHER EXPENSE, INJURY, LOSS OR DAMAGE TO PERSONS (INCLUDING DEATH) OR TO PROPERTY OR THINGS OF WHATSOEVER KIND OR NATURE, WHETHER DIRECT, INCIDENTAL OR CONSEQUENTIAL, INCLUDING BUT NOT LIMITED TO THOSE ARISING FROM LOSS OF PROFITS, PRODUCTION, INCREASED COST OF OPERATION, OR SPOILAGE OF MATERIAL ARISING IN CONNECTION WITH THE SALE OR USE OF, OR INABILITY TO USE, SELLER'S EQUIPMENT OR PRODUCTS FOR ANY PURPOSE, EXCEPT AS HEREIN PROVIDED.



[www.exbrite.com](http://www.exbrite.com) or [www.exbriestones.weebly.com](http://www.exbriestones.weebly.com)

**EXBRITE3M50BABY-INSTRUCTION MANUAL**

Seller shall not be liable to Buyer for any loss or damage suffered by Buyer directly or indirectly, as a result of Seller's failure to deliver or delay in delivering the equipment or failure to perform, or delay in performing, any other term or condition hereof, where such failure or delay is caused by fire, flood, natural disaster, labor trouble (including without limitation strike, slowdown and lockout), war, riot, civil disorder, embargo, government regulations or restrictions of any and all kinds, expropriation of plant by federal or state authority, interruption of or delay in transportation, power failure, inability to obtain materials and supplies, accident, explosion, act of God or other causes of like or different character beyond Seller's control and the time for delivery specified herein shall be extended during the continuance of such conditions and for a reasonable time thereafter.

**Packaging:** Packaging is as standard provided by Exbrite Stones Pte Ltd or by the OEM (The Manufacturer) for Export. Any special packaging require by client receive must be submitted prior to the Seller or the OEM (The Manufacturer) carry out their packaging and this will be chargeable.

**Risk of loss:** The risk of loss or destruction of, or damages to the product shall be on Buyer from and delivery of the product to Buyer or carrier, whichever first occurs.

**Return:** No material whatsoever will be accepted for credit when return without written permission from Seller's. No material will be accepted for credit after 1 week from date of shipment.

**Title:** Title to the products supplied hereunder, to any and all accessories hereto and substitutions therefore, shall remain in Seller as a security interest until Buyer has completed payment of the purchase price, plus accrued interest, if any, and fully performed all of the terms and conditions hereof.

**Indemnification:** It is understood that the buyer has relied upon data furnished by and on behalf of the seller with respect to the safety aspects of the products supplied hereunder and/or representations by, that such products will not be applied or used by Buyer or its customers in such a way as to detract materially from their safety in use, including, without limitation, in the manufacture of a product of which Seller's products will be a component and that it is Buyer's responsibility to assure that such products, when installed and put in use, will be in compliance with safety requirements fixed by applicable law and will be otherwise legally adequate to safeguard against injuries to persons or property. BUYER HEREBY AGREES TO INDEMNIFY. HOLD HARMLESS AND DEFEND SELLER, AND ITS DIRECTORS, OFFICERS, EMPLOYEES AND AGENTS AGAINST ANY AND ALL LOSSES, COST, DAMAGE(S), CLAIMS, LIABILITIES OR EXPENSES, INCLUDING, BUT NOT LIMITED TO, REASONABLE ATTORNEYS' FEES, ARISING OUT OF OR RESULTING FROM ANY INJURY TO ANY PERSON OR DAMAGE TO ANY PROPERTY CAUSED BY THE INADEQUACY FOR THE BUYER'S INTENDED USE OF THE SAFETY FEATURES, DEVICES OR CHARACTERISTICS OF THE PRODUCTS SPECIFIED HEREIN, OR IN THE INSTALLATION, USE OR OPERATION OF SUCH PRODUCTS, EXCEPT CLAIMS SOLELY FOR REPAIR OR REPLACEMENT OF DEFECTIVE PARTS COVERED BY THE WARRANTY SET FORTH HEREOF.

**Acceptance:** Any purchase order received by Seller will be construed to be a written acceptance of this quotation and all its terms and conditions.

**Safety:** Safety instructions are included with tools and equipment. If not, the Seller is on his interest to request for such documents which can be given by the seller to the buyer either in hard or transmitted (Email or other electronic means) in soft copies. All certifications and relevant documentation at the buyer countries require for importation, usage and operation(s) of said equipments sold by seller is under the buyer care.

**Should you have any additional question, please feel free to contact EXBRITE immediately.**

Thank you.  
SELLER:



grinder Filter Air



**CONFIDENTIALITY NOTICE:**  
ANY AND ALL INFORMATION PERTAIN IN THIS DOCUMENTS ARE TO BE TREATED WITH THE GREATEST OF CONFIDENTIALITY. IT IS INTENDED SOLELY FOR THE USE OF THE INDIVIDUAL OR THE ENTITY TO WHO THEY ARE ADDRESSED TO WHICH IS AS SHOWN ABOVE. IF YOU ARE NOT THE INTENDED RECIPIENT OR THE PERSON RESPONSIBLE FOR DELIVERING, HANDLING NOR HAVE ANY BUSINESS WHATSOEVER TO DO WITH THIS DOCUMENTS, BE STRONGLY ADVISED THAT YOU HAVE RECEIVED THIS DOCUMENT IN ERROR. YOU ARE TO PROPERLY DISPOSE OF THIS DOCUMENT(S). IF YOU DO NOT HAVE THE MEANT TO DO SO, YOU ARE TO SWIFTLY CONTACT EXBRITE STONES PTE LTD WHERE ARRANGEMENT WILL BE MADE TO DISPOSE OF THIS DOCUMENT(S). YOU ARE TO ALSO NOTIFY EXBRITE STONES PTE LTD THAT YOU HAVE RECEIVED THIS DOCUMENT(S) IN ERROR. PLEASE BE ALSO INFORMED THAT ANY USE, DISSEMINATION, FORWARDING, PRINTING OR COPYING OF THIS DOCUMENT(S) IN FULL OR IN PART IN ANY FORM IS STRICTLY PROHIBITED. ANY SUCH OFFENCES, KNOWINGLY OR OTHERWISE WHICH COULD POTENTIALLY RESULT IN CURRENT OR FUTURE LOST WHETHER IT IN THE FORM OF BUSINESS OR MONETARY LOST OR HARM TO THE COMPANY EXBRITE STONES PTE LTD, IT'S REPUTATION OR STANDING OR CAUSE OTHER FORM OF DAMAGES & NOT LIMITED TO THIS, TO THE COMPANY OR THE MANAGEMENT OR IT STAFF WILL POTENTIALLY RESULT IN PROSECUTION OR CHARGES BEING BROUGHT UPON THE INDIVIDUAL PERSON OR PERSONS OR ENTITY IN SINGAPORE UNDER SINGAPORE LAW.